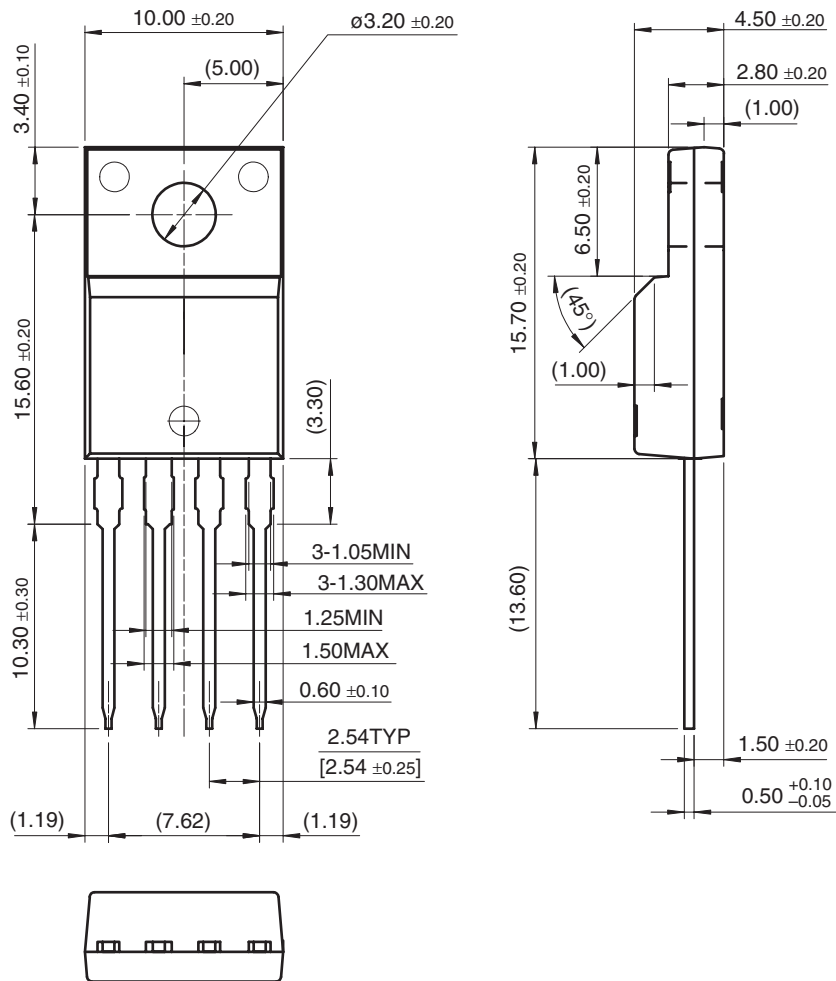
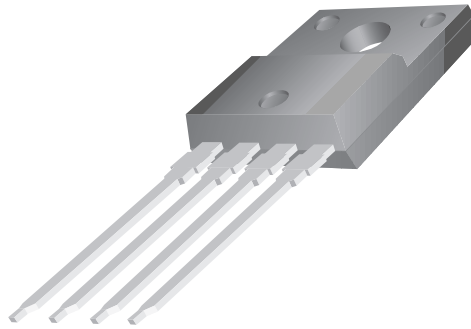


TO-220F-4L Package Dimensions



TO-220F-4L (FSC PKG Code AW)



Dimensions in Millimeters

